

OE Design Leaf Springs— Now available! These springs have been re-created in the USA using the original Ford Motor Company blueprints out of high quality SAE 5160 Alloy US made steel. These springs have details not found on just any replacement spring. Details such as: Ends of individual leaves roll tapered and cupped; original style anti-squeak inserts in each cup; original style clips on each spring; OEM front eye bushing. Plus these are not just 5 sizes fit all. We have identified 22 Ford blueprints with Cougar applications and each one is represented below-used and applied as Ford indicated. Compare these original features to what everyone else is offering and then look at the price-now that's real value! Priced individually but we HIGHLY recommend that both springs be replaced at the same time.

Not eligible for free shipping-add \$30.00 shipping fee for each pair of leaf springs ordered.

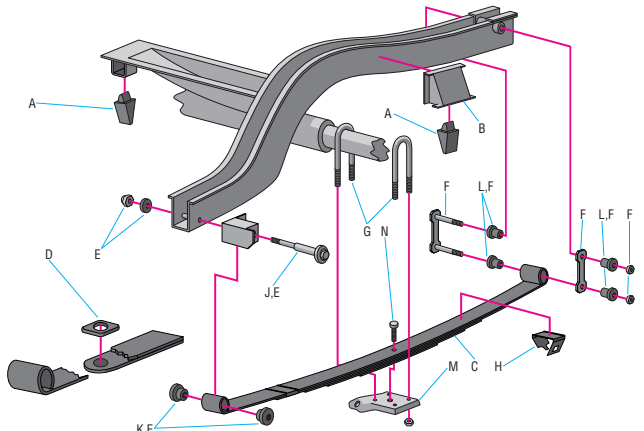
EATON DETROIT SPRING, INC.				OE DESIGN LEAF SPRINGS					
Year	Body	Engine	Application Info	Standard spring		Competition suspension		Special spring:	
				OE Rate	\$324.50/ea Part#	OE Rate	\$324.95/ea Part#	1" lowering* (non-original) Rate	\$433.95/ea Part#
67	CP	289		85	5560-201A	125	5560-202A	175	5560-212B
67	CP	390		85	5560-201A	125	5560-202A	175	5560-212B
68	CP	289, 302		75	5560-203A	125	5560-202A	175	5560-212B
68	CP	390		85	5560-201A	125	5560-202A	175	5560-212B
68	CP	427	GT-E	-	-	125	5560-202A	175	5560-212B
69	CP	302	Eliminator	-	-	120	5560-208A	175	5560-212B
69	CP	351W		85	5560-209A	120	5560-208A	175	5560-212B
69	CP	390		85	5560-209A	120	5560-208A	175	5560-212B
69	CP	428 CJ	Battery under hood	-	-	135	5560-206A	175	5560-212B
69	CP	428 CJ	Battery in trunk	-	-	135	5560-207A	175	5560-212B
69	CV	351W		75	5560-204A	120	5560-205A	175	5560-212B
69	CV	390		75	5560-204A	120	5560-205A	175	5560-212B
69	CV	428 CJ	Battery under hood	-	-	135	5560-206A	175	5560-212B
69	CV	428 CJ	Battery in trunk	-	-	135	5560-207A	175	5560-212B
70	CP	302	Eliminator	-	-	149	5560-212A	175	5560-212B
70	CP	351C		95	5560-213A	149	5560-212A	175	5560-212B
70	CP	351W		95	5560-213A	149	5560-212A	175	5560-212B
70	CP	428 CJ		-	-	149	5560-212A	175	5560-212B
70	CV	351C		95	5560-211A	149	5560-210A	175	5560-212B
70	CV	351W		95	5560-211A	149	5560-210A	175	5560-212B
70	CV	428 CJ		-	-	149	5560-210A	175	5560-212B
71	CP	351C-2V	(b4 10/19/70)	95	5560-218A	139	5560-215A	175	5560-214B
71	CP	351C-2v	(from 10/19/70)	95	5560-218A	139	5560-214A	175	5560-214B
71	CP	351C-4v	(b4 10/19/70)	95	5560-217A	139	5560-215A	175	5560-214B
71	CP	351C-4v	(from 10/19/70)	95	5560-216A	139	5560-214A	175	5560-214B
71	CP	429 CJ	(b4 10/19/70)	-	-	139	5560-215A	175	5560-214B
71	CP	429 CJ	(from 10/19/70)	-	-	139	5560-214A	175	5560-214B
71	CV	351C	(b4 10/19/70)	95	5560-217A	139	5560-215A	175	5560-214B
71	CV	351C	(from 10/19/70)	95	5560-216A	139	5560-214A	175	5560-214B
71	CV	429 CJ	(b4 10/19/70)	-	-	139	5560-215A	175	5560-214B
71	CV	429 CJ	(from 10/19/70)	-	-	139	5560-214A	175	5560-214B
71	CV	429 CJ	(from 10/19/70)	-	-	139	5560-214A	175	5560-214B
72	CP	351C-2v	(b4 9/1/71)	95	5560-218A	139	5560-214A	175	5560-214B
72	CP	351C-2v	(from 9/1/71)	95	5560-213A	149	5560-212A	175	5560-212B
72	CP	351C-4v	(b4 9/1/71)	95	5560-216A	139	5560-214A	175	5560-214B
72	CP	351C-4v	(from 9/1/71)	95	5560-213A	149	5560-212A	175	5560-212B
72	CV	351C	(b4 9/1/71)	95	5560-216A	139	5560-214A	175	5560-214B
72	CV	351C	(from 9/1/71)	95	5560-211A	149	5560-210A	175	5560-212B
73	CP	351C	Incl CJ	95	5560-222A	120	5560-221A	175	5560-212B
73	CV	351C-2v		95	5560-222A	120	5560-221A	175	5560-212B
73	CV	351C-4v	Incl CJ	95	5560-220A	120	5560-219A	175	5560-212B

US-made!

*Measurement is approximate.
1" lowering is based on standard suspension spring heights.
Competition handling optioned cars are already lowered up to 1/2" from stock.
The actual amount a particular car is lowered is not guaranteed.



SPECIAL
1" lowering springs
 Tailored exactly to original applications using computer models to adapt stock ride heights and spring rates to a performance oriented spring with a higher rate and a lower stance without adversely affecting pinion angle.



- A 4730 Bumper, axle
 - B 4731 Mount, axle bumper
 - C 5560 Leaf spring
 - D 5586 Pad, leaf spring
 - E 5630 Shackle kit, front eye
 - F 5630 Shackle kit, rear eye
 - G 5705 U-bolt, leaf spring
 - H 5724 Clamp, leaf spring
 - J 5741 Bolt, spring eye
 - K 5781 Bushing, front eye
 - L 5781 Bushing, rear eye
 - M 5796 Plate, spring mount
 - N 354712 Bolt, leaf spring center
- Items in blue -
 Check listing for applications